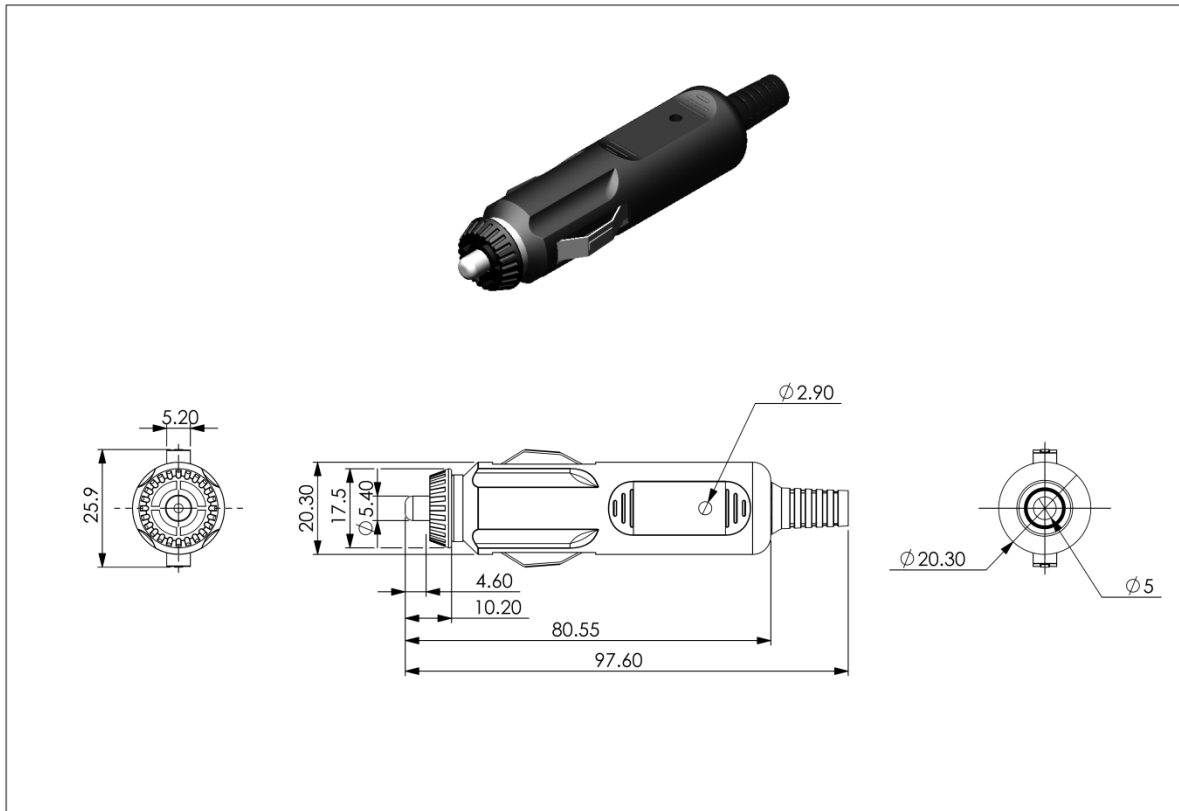


# YE-2109BL AUTO CIG CABLE PLUG

- W/ 30mm FUSE

- **MATERIALS :**

- POSITIVE CONTACT:  
BRASS NICKEL PLATED
- SCREW CAP :  
ABS
- RING CAP :  
STEEL NICKEL PLATED
- SPRING :  
PHOSPHOR BRONZE
- FUSE HOLDER :  
PHOSPHOR BRONZE
- SHELL COVER :  
ABS
- NEGATIVE CONTACT:  
STEEL NICKEL PLATED
- BOOT :  
PVC



俞昌有限公司  
YEU TSANG CO. LTD.

|                 |   |                |  |            |        |               |       |                 |           |                   |            |
|-----------------|---|----------------|--|------------|--------|---------------|-------|-----------------|-----------|-------------------|------------|
| 品名:<br>ITEM :   | YE-2109BL AUTO CIG.<br>CABLE PLUG W/LED |                |  | 一般公差       | SHEET: | 單位:<br>unit:  | mm    | 日期:<br>date:    | '07/01/23 | 繪圖:<br>drwn by:   | DanielShyr |
| 料號:<br>PART NO. | YE-2109BL                               | 圖號:<br>DRW NO. |  | .X +/-0.25 |        | 比例:<br>scale: | 1 : 1 | 版本:<br>version: | V. 1.0    | 核准:<br>apprvd by: | SkyShyr    |

COPYRIGHT BY YEU TSANG